

STARPOWER

SEMICONDUCTOR

FRED

FD1000CCS10D3S

Molding Type Module

100V/1000A in one-package



General Description

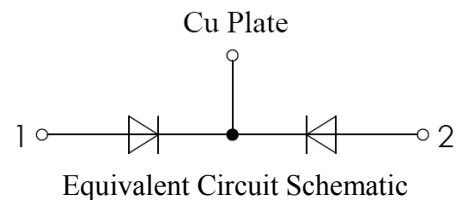
STARPOWER Diode Power Module provides low forward voltage as well as low reverse recovery loss. They are designed for the applications such as SMPS.

Features

- Fast soft diode
- Low forward voltage drop
- Small temperature coefficient
- Low reverse recovery losses
- High ruggedness
- Low inductance

Typical Applications

- SMPS
- PFC
- Electric welders
- DC choppers



Absolute Maximum Ratings $T_C=25^\circ\text{C}$ unless otherwise noted

Symbol	Description	FD1000CCS10D3S	Units
V_{RRM}	Repetitive Peak Reverse Voltage	100	V
V_{RSM}	Non-repetitive Peak Reverse Voltage	100	V
I_{FAV}	Average Forward Current $T_C=100^\circ\text{C}$, Diode $T_C=100^\circ\text{C}$, Module	500 1000	A
I_{FSM}	Surge Forward Current $V_R=0\text{V}$, $t_p=10\text{ms}$, $T_j=25^\circ\text{C}$ $V_R=0\text{V}$, $t_p=8.3\text{ms}$, $T_j=25^\circ\text{C}$	5000 5500	A
I^2t	I^2t -value $V_R=0\text{V}$, $t_p=10\text{ms}$, $T_j=25^\circ\text{C}$ $V_R=0\text{V}$, $t_p=8.3\text{ms}$, $T_j=25^\circ\text{C}$	125000 151250	A^2s
P_D	Maximum Power Dissipation @ $T_j=175^\circ\text{C}$	2143	W
T_j	Junction Temperature	-40 to +175	$^\circ\text{C}$
T_{STG}	Storage Temperature Range	-40 to +125	$^\circ\text{C}$
M	Terminal Connection Torque, Screw M6 Mounting Torque, Screw M6	3.0 to 4.7 3.0 to 4.7	N.m

Electrical Characteristics of Diode $T_C=25^\circ\text{C}$ unless otherwise noted

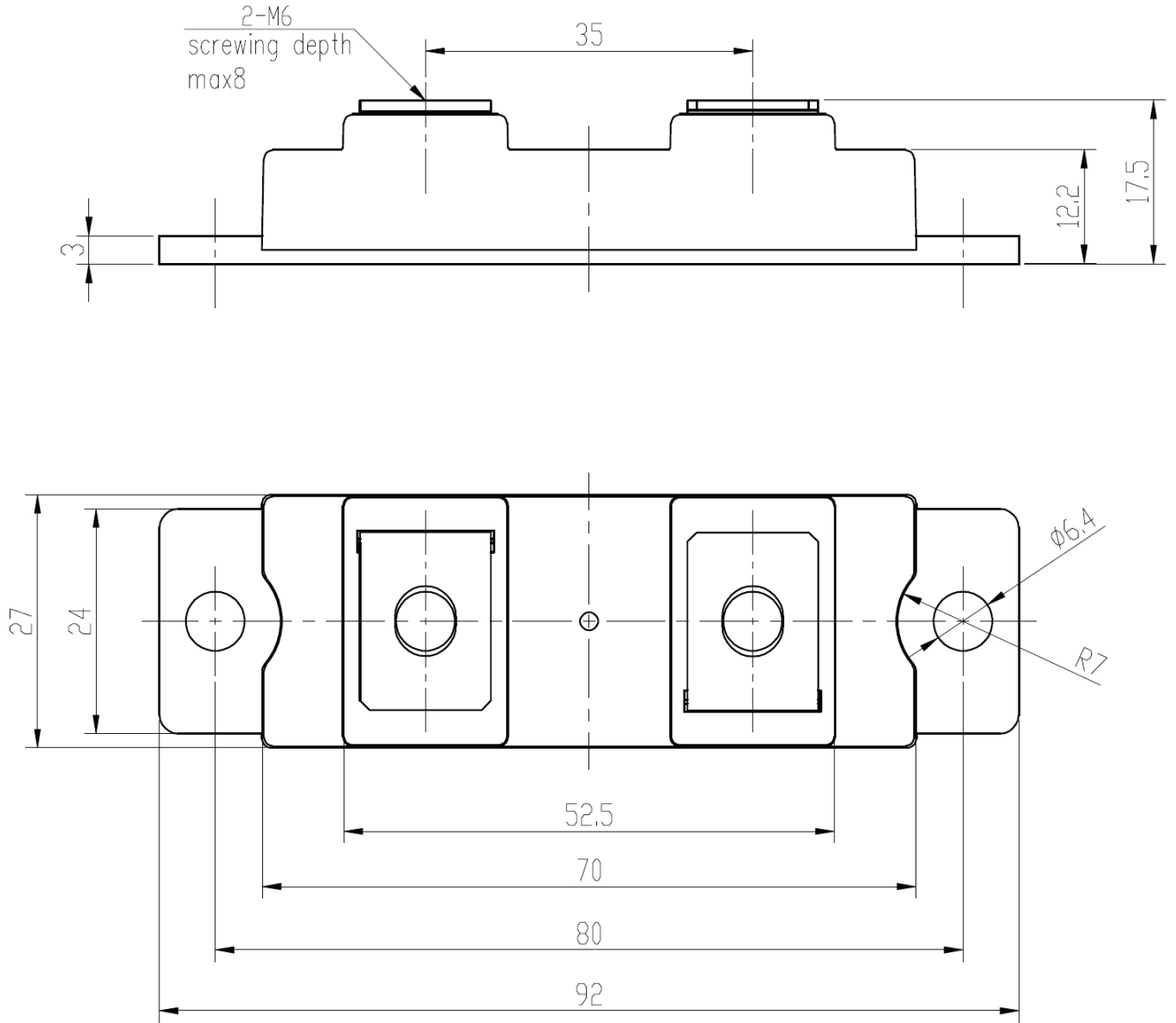
Symbol	Parameter	Test Conditions	Min.	Typ.	Max.	Units
V_F	Diode Forward Voltage	$I_F=500\text{A}$	$T_j=25^\circ\text{C}$	0.85	1.05	V
			$T_j=125^\circ\text{C}$	0.80	1.00	
I_R	Diode Reverse Current	$V_R=V_{RRM}$	$T_j=25^\circ\text{C}$		0.5	mA
			$T_j=125^\circ\text{C}$		1.0	
t_{rr}	Reverse Recovery Time	$I_F=500\text{A}$ $V_R=50\text{V}$	$T_j=25^\circ\text{C}$	58		ns
			$T_j=125^\circ\text{C}$	76		
I_{RM}	Peak Reverse Recovery Current	$di/dt=-200\text{A}/\mu\text{s}$	$T_j=25^\circ\text{C}$	100		A
			$T_j=125^\circ\text{C}$	125		

Thermal Characteristics

Symbol	Parameter	Typ.	Max.	Units
$R_{\theta JC}$	Junction-to-Case		0.070	K/W
$R_{\theta CS}$	Case-to-Sink (Conductive grease applied)	0.06		K/W
Weight	Weight of Module	95		g

Package Dimensions

Dimensions in Millimeters



Terms and Conditions of Usage

The data contained in this product datasheet is exclusively intended for technically trained staff. you and your technical departments will have to evaluate the suitability of the product for the intended application and the completeness of the product data with respect to such application.

This product data sheet is describing the characteristics of this product for which a warranty is granted. Any such warranty is granted exclusively pursuant the terms and conditions of the supply agreement. There will be no guarantee of any kind for the product and its characteristics.

Should you require product information in excess of the data given in this product data sheet or which concerns the specific application of our product, please contact the sales office, which is responsible for you (see www.powersemi.cc), For those that are specifically interested we may provide application notes.

Due to technical requirements our product may contain dangerous substances. For information on the types in question please contact the sales office, which is responsible for you.

Should you intend to use the Product in aviation applications, in health or live endangering or life support applications, please notify.

If and to the extent necessary, please forward equivalent notices to your customers.
Changes of this product data sheet are reserved.